



Programmable Dispenser

Installation & Operating Instructions

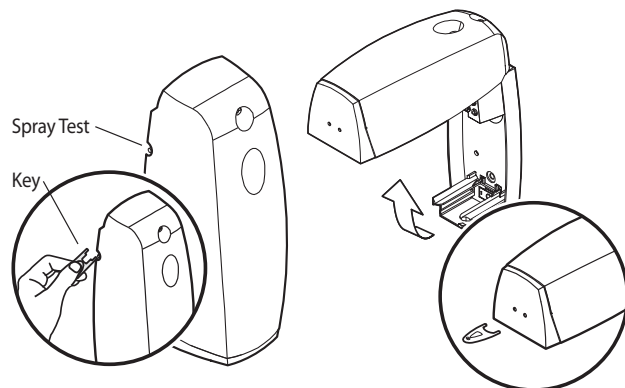
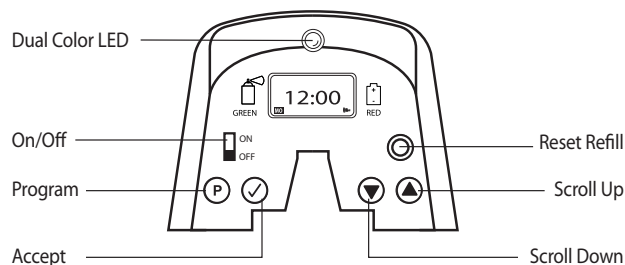


Figure 1

Figure 2

Installation

1. Open the dispenser by using the enclosed key (Figure 2), located on the back of the dispenser.
2. Place the dispenser on the mounting surface – ideally 7' from the ground – and mark the two mounting holes. Drill the two marked mounting positions, then mount dispenser in position using supplied wall anchors and screws. Or, use double-sided foam adhesive pads to secure dispenser to wall.
3. Once installed, turn on/off button to off, insert refill (see separate can instructions) and two "C" size batteries. Be sure to keep eyes and face away from spray nozzle and turn dispenser on. A buzzer will sound and the LED will flash red 4 times and a test spray will follow.

Programming

Factory Settings: This dispenser is factory set to run at 15 minute intervals, 24 hours/day, 7 days/week. These can be changed using the directions below.

Setting the Clock/Day of Week/ Spray Interval

If you delay in making a selection, the unit will automatically select what is flashing. Simply press (P) then (▲) till you get back to where you were.

1. Press (P). Hour will flash. Use (▼) to move hour down and (▲) to move hour up. AM hours range from 0 – 12, PM hours range from 13 – 23.
2. Press (✓) to accept hours setting, minutes will now flash. Use (▼) and (▲) to reach proper minutes.

3. Press (✓) to accept minutes setting, day of the week will now flash. Use (▼) and (▲) to reach proper day of the week.
4. Press (✓) to accept day of week setting, start time will now flash. Use (▼) and (▲) to select the correct hour, pressing (✓) after to accept setting. Repeat to select minute setting.
5. Press (✓) to accept minute setting, spray will now flash. Use (▼) and (▲) to select the number of minutes needed between sprays.
6. Press (✓) to accept spray setting, days will now flash. Use (▲) to select first desired off day. Day will flash more rapidly. Press (▲) to select next off day. Previously selected off day will be taken off the display once (▲) is pressed.
7. Press (P) to finish programming. Expected refill life in days will be displayed. Press (P) again to display clock, or, allow can life display to time out. Time will automatically be displayed.

Maintenance

When dual color LED is green, replace aerosol. When dual color LED is red, replace batteries.

Aerosol replacement

1. Turn unit off, remove empty can and replace with new can. Be sure to keep eyes and face away from spray nozzle and turn dispenser on. A buzzer will sound and the LED will flash red 4 times and a test spray will follow.
2. Reset the spray counter by pressing the reset refill button.

Battery replacement

1. Turn unit off, and replace used batteries with a new set and turn dispenser on. A buzzer will sound and the LED will flash red 4 times and a test spray will follow.
2. To keep current program settings, batteries must be replaced within 3 minutes.

Test Spray

If a manual test spray is needed, use the key to press the test spray button (Figure 1).